



ArrowAntenna.com
 ArrowAntennas.com

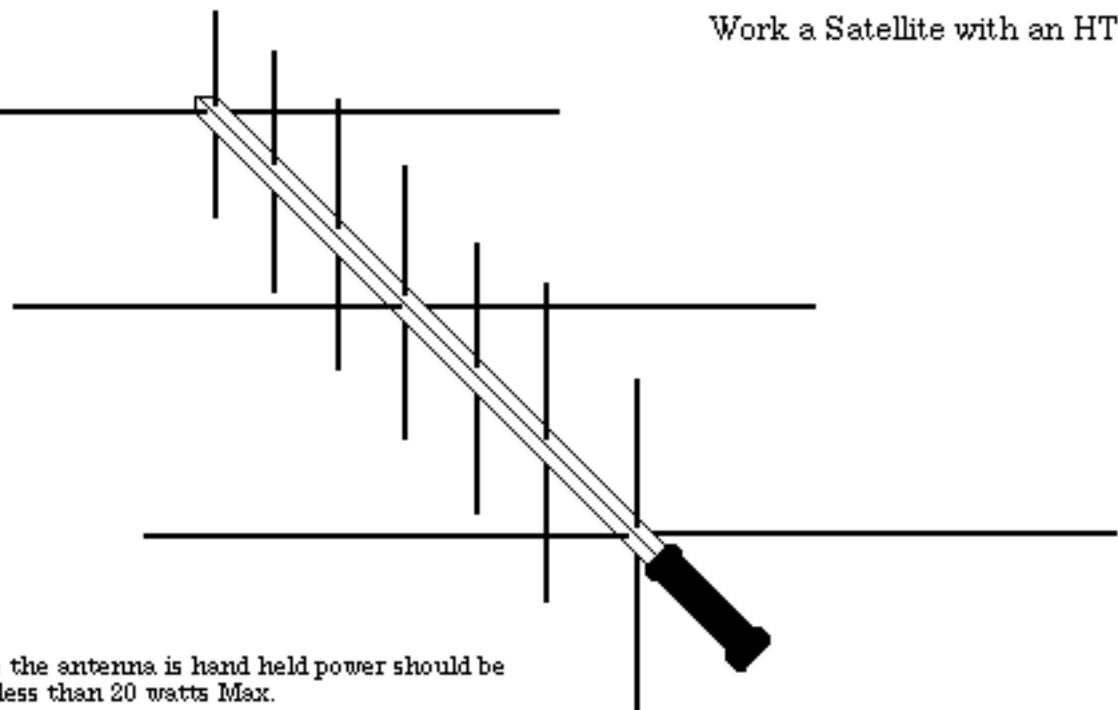


604 West 17th Street
 Cheyenne, WY 82001

Simply the Best

Arrow146@aol.com
 307-638-2369

Work a Satellite with an HT



Because the antenna is hand held power should be kept to less than 20 watts Max.

Arrow II Satellite Antenna

AO2? Uplink 146.260 Downlink 436.200

The Arrow II line of Antennas has been engineered to provide maximum gain and efficiency in the smallest practical Size & Weight **ONLY 19 oz.**

Aluminum **Arrow Shafts** are used for Elements.

The 2 in-line Gamma Matches (not shown) are pre-assembled & pre-tuned. One connector for VHF and one for UHF and they are BNC only. (Duplexer & Cables NOT included).

The Boom is 3/4" sq. (with round corners) 37 1/2" long. Note the big black foam grip, for easy holding.

Boom & elements all have plastic tips for safty.

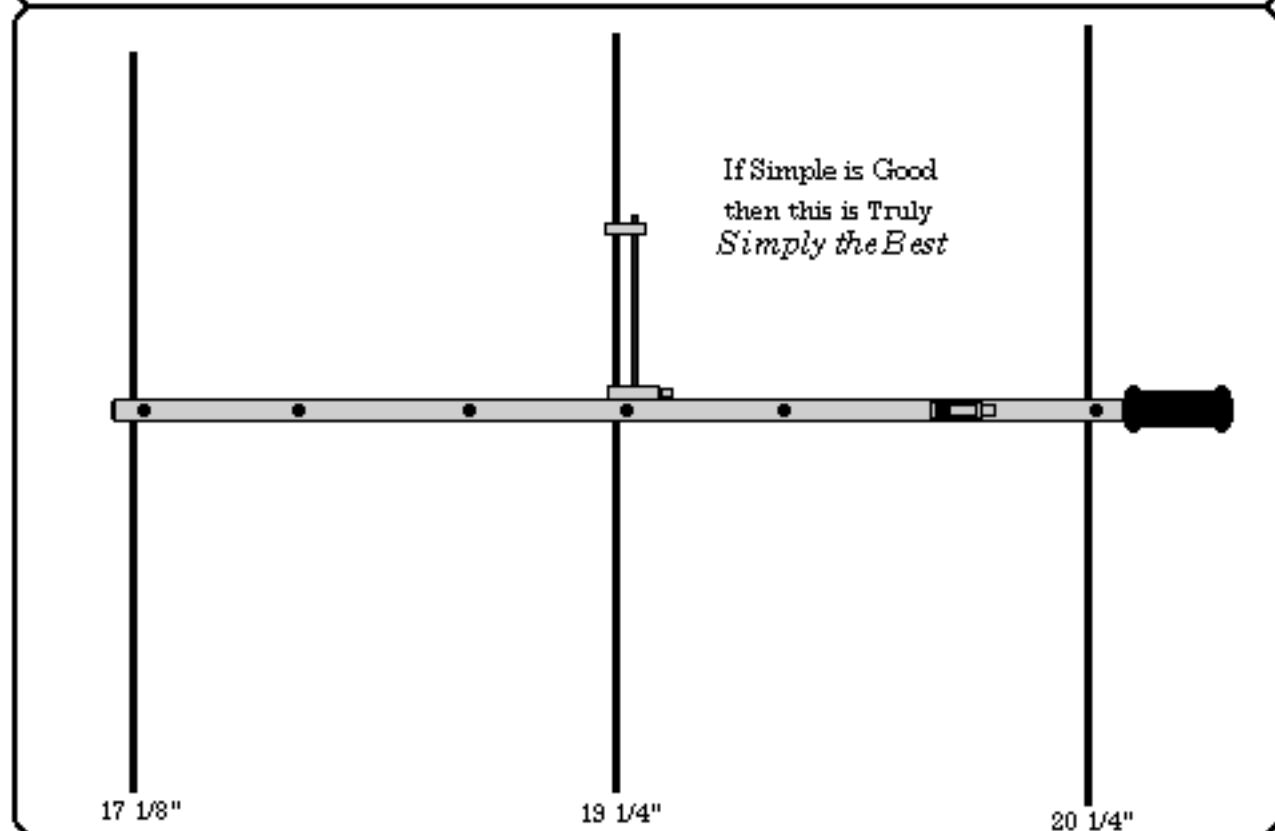
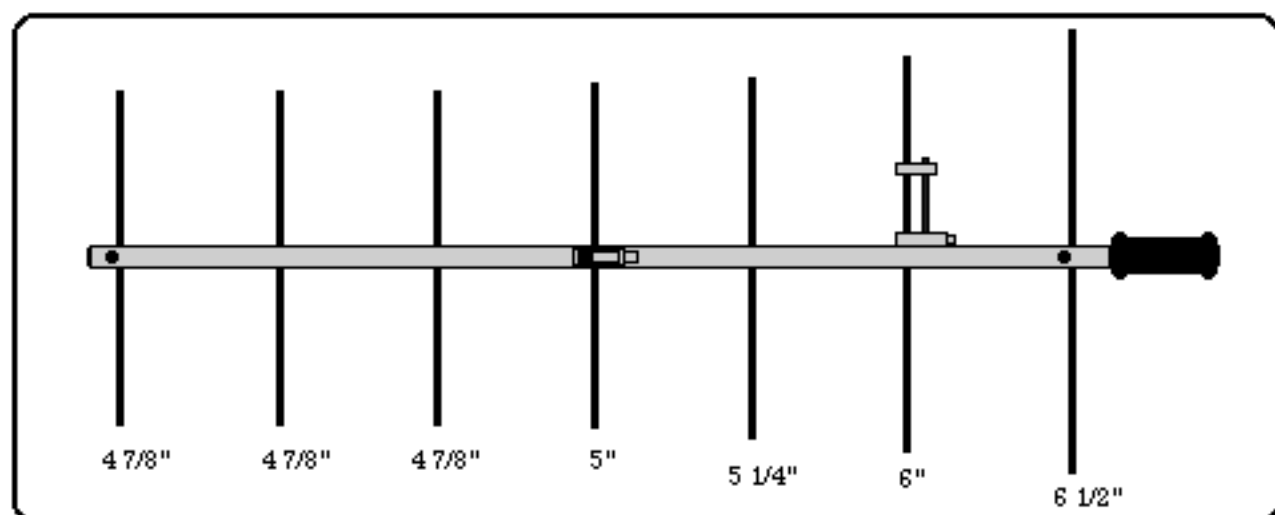
Model
146/437-10

3 Elements for VHF
 7 Elements for UHF

Price Part # Model 146/437-10 Packing List

| | | |
|----------|-------------|---|
| \$ 20.00 | 14643710 | Boom with End Caps and Foam Handle |
| \$ 18.00 | 00043710 | 437 Driven Element pair - with Gamma Match, End Caps, Inserts, & 2 1/2" Stud |
| \$ 4.00 | 437 # # # | 437 Element Pairs with End Caps, Inserts, & 2 1/4" Stud (Please give element length when ordering) |
| \$ 22.00 | 14600010 | 146 Driven Element pair - with Gamma Match, End Caps, Inserts, & 2 1/2" Stud |
| \$ 8.00 | 146 # # # # | 146 Element Pairs with End Caps, Inserts, & 2 1/4" Stud (Please give element length when ordering) |

(Please add \$8.00 S & H per order. Thank You.



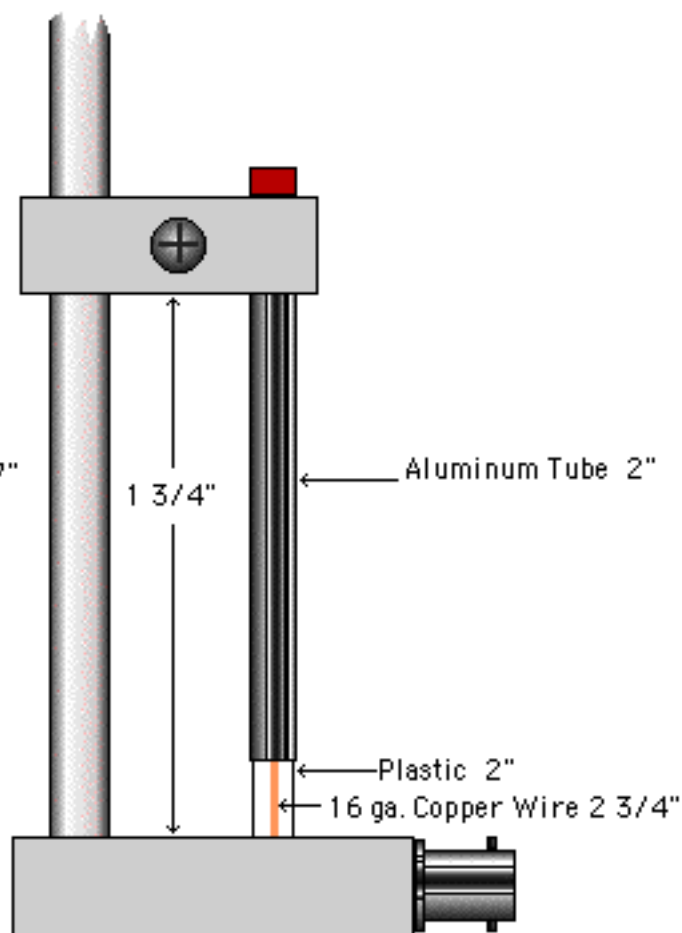
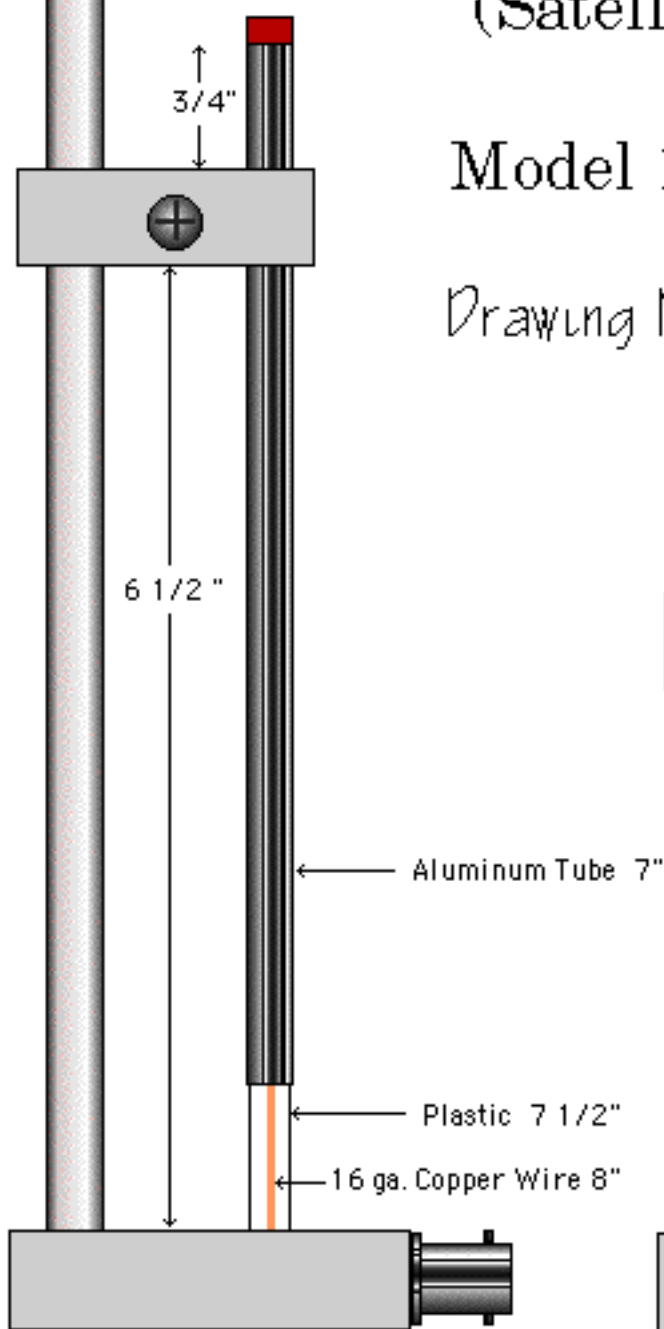
Assembly Instructions

Attach the elements to the boom as shown above, by screwing the elements together through holes in the boom. Attach feed lines to the BNC connectors. That's it. The Antenna is pre-tuned and ready to go.

Arrow II Hand Held Portable (Satellite)

Model 146/437-10

Drawing Not to Scale



Boom Layout Length $37\frac{1}{2}$ "